

CABLE 382 RF: RF CABLE ASSEMBLY, IPEX MHF 4L+ N STRAIGHT BULKHEAD JACK W/O-RING RATED TO IP67/68 + 1.13MM CABLE, 6GHZ

**SPECIFICATIONS:**

1. I-PEX MHF 4L PLUG, P/N: 20565-001R-13.
2.  $\phi$ 1.13MM COAXIAL CABLE, COLOR: GRAY.
3. N STRAIGHT BULKHEAD JACK WITH O-RING RATED TO IP67/68, P/N: RFCT-N007-F13.

**ENVIRONMENTAL:**

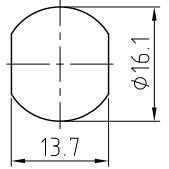
- A. BULKHEAD MOUNTED CONNECTOR (RFCT-N007-F13) RATED TO THE FOLLOWING SPECIFICATION:
- i. IP6X - DUST TIGHT - NO PARTICLE INGRESS.
  - ii. IPX7 WATERPROOF FOR 30 MINUTES UP TO 1 METER UNDERWATER.
  - iii. IPX8 WATERPROOF FOR 48 HOURS AT 1 METER UNDERWATER.

**NOTES:**

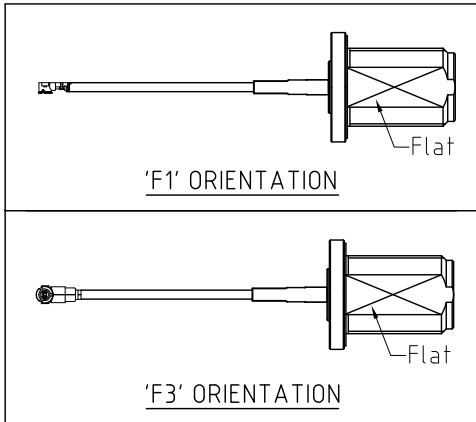
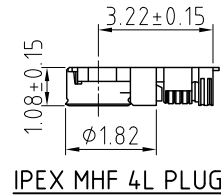
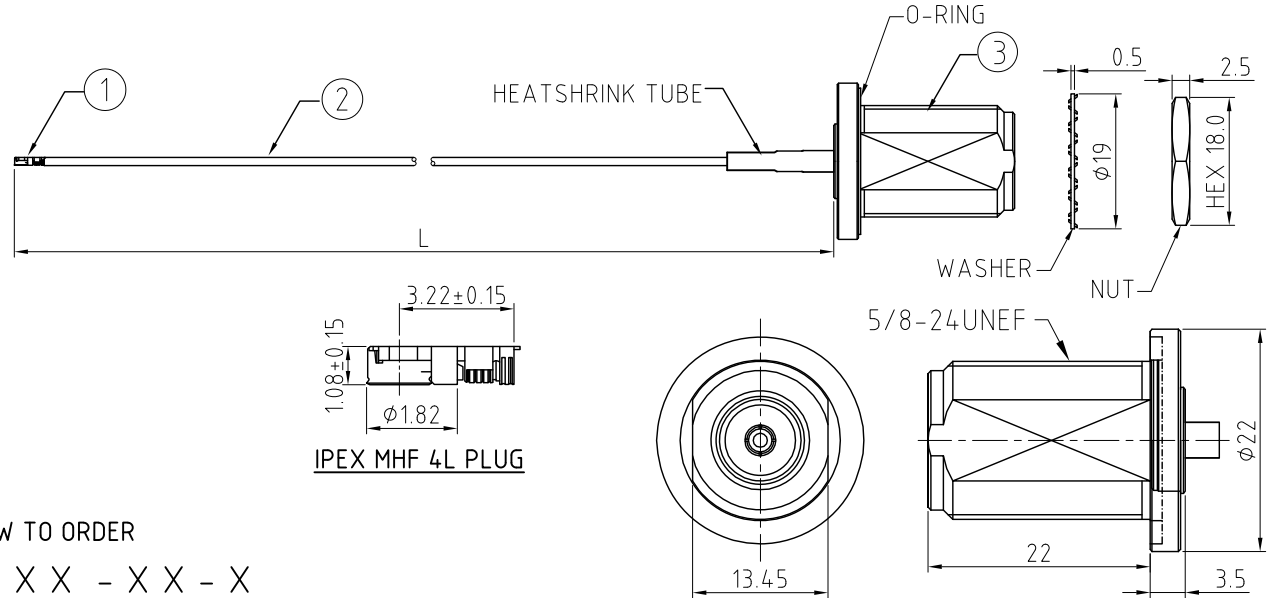
1. THE ORIENTATION OF CONNECTORS ON DRAWING IS FOR REFERENCE ONLY, IF THE ORDER IS LEFT BLANK THE CONNECTOR WILL NOT HAVE FIXED ORIENTATION.
2. FIXED ORIENTATION IS SUGGESTED FOR CABLE LENGTH 25MM TO 100MM. PLEASE SPECIFY THE FIXED ORIENTATIONS FROM THE ORDER CODE (F1, F2, ETC)
3. CONTACT GRAD CONN IF THE ORIENTATION YOU REQUIRE IS NOT SHOWN.
4. WORKING FREQUENCY RANGE: DC-6GHZ
5. OPERATING TEMPERATURE: -40°C~+90°C
6. IMPEDANCE: 50 OHM

**USAGE PRECAUTIONS: CABLES USING 'MICRO' COAX ARE DELICATE:**

- (i) HANDLE WITH CARE.
- (ii) DO NOT TWIST; APPLY EXCESSIVE FORCES OR SHARP BENDS TO THE CABLE. DO NOT FORCEFULLY DEFORM WIRES.
- (iii) CONSULT CONNECTOR MANUFACTURER'S DATASHEETS FOR DETAILED NOTES ON HANDLING INSTRUCTIONS.



RECOMMENDED N MOUNTING HOLE (TOLERANCE:  $\pm 0.07$ )



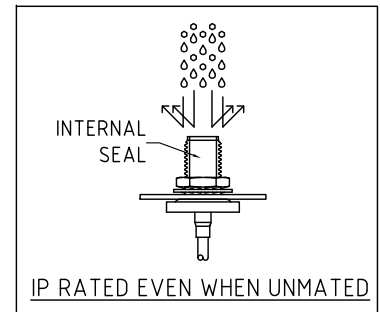
HOW TO ORDER  
CABLE 382 RF - XXX - XX - X

"L" LENGTH IN MM  
eg: 100MM = 100  
(MIN. 025-MAX.400)  
STANDARD = 100, 150, 200  
Tolerance: <50mm :  $\pm 2$ mm.  
51-200mm:  $\pm 5$ mm.  
201-400mm:  $\pm 7$ mm.

WASHER AND NUT OPTIONS:  
BLANK = SEPARATELY PACKED (STANDARD)  
A = ASSEMBLED WITH CONNECTOR

ORIENTATION OPTIONS:  
BLANK = DOES NOT HAVE A FIXED ORIENTATION  
F1 = MHF CONNECTION DOWN (L=25-200MM)  
F3 = MHF CONNECTION AND D-FLAT SAME ORIENTATION (L=25-200MM)  
(SEE NOTES 1, 2, 3 AND DIAGRAMS FOR MORE INFORMATION)

N DETAIL DRAWING



REV. DATE & DRN  
10 20/02/20 - NYW RELEASE  
11 24/03/24 - CC  
ADD IP RATING VIEW

Scale: NTS	THIRD ANGLE	Unstated Tolerances:
Drawn: CC		.X N/A .XX N/A .XXX N/A ANGLES N/A
App'd: XXX	Title CABLE ASSEMBLY	
Date: 24 MAR. '24	Revision: 1.1	Unit: mm

**NAUTILUS**  
IP Rated RF Products

**GRADCONN**  
www.gradconn.com

Type: Cable 382 RF
CABLE 382 RF
Drawing Number:
Sheet 1 of 1
Drawing © E and O E